

LOC	DIST	REVISIONS					
—	—	P	LTR	DESCRIPTION	DATE	DWN	APVD
		F3		Obsolescence of P/N 4-825440-0	23JULY2013	SMT	RP

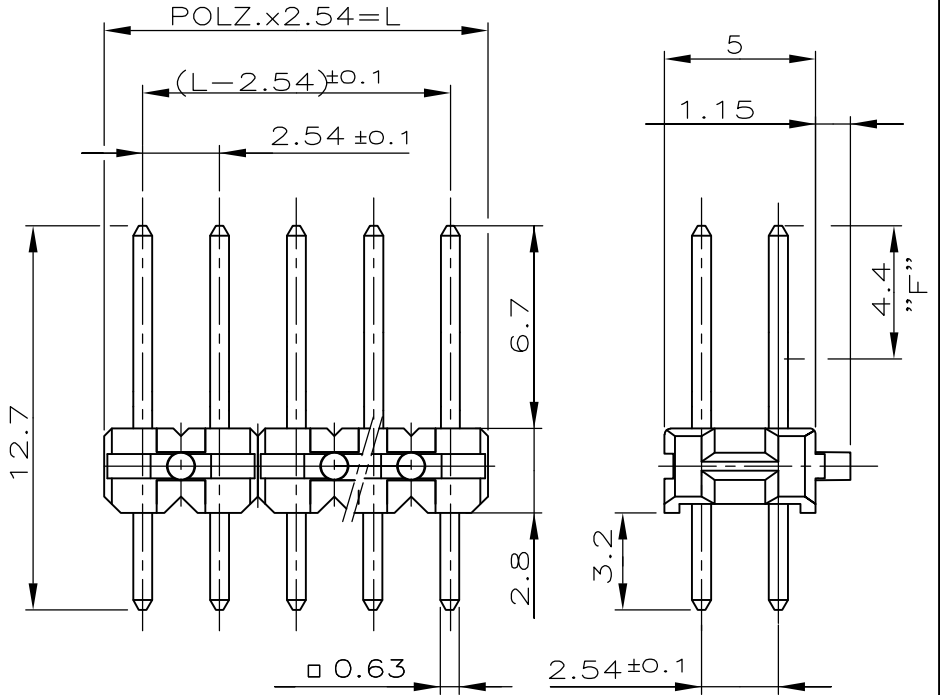
NUMMER 825440

VERWENDET FÜR  
E 92-9802

WAR NR. —

CAD-ORIGINAL  
ZEICHNUNG NICHT ÄNDERN

POLZ. PRO REIHE	L±0.5	BESTELL-NR.	
—	—	—	—
2	5.08	825 440 -2	—
3	7.62	—	-3
4	10.16	—	-4
5	12.70	—	-5
6	15.24	—	-6
7	17.78	—	-7
8	20.32	—	-8
9	22.86	—	-9
10	25.40	1-	-0
11	27.94	1-	-1
12	30.48	1-	-2
13	33.02	1-	-3
14	35.56	1-	-4
15	38.10	1-	-5
16	40.64	1-	-6
17	43.18	1-	-7
18	45.72	1-	-8
19	48.26	1-	-9
20	50.80	2-	-0
21	53.34	2-	-1
22	55.88	2-	-2
23	58.42	2-	-3
24	60.96	2-	-4
25	63.50	2-	-5
26	66.04	2-	-6
27	68.58	2-	-7
28	71.12	2-	-8
29	73.66	2-	-9
30	76.20	3-	-0
31	78.74	3-	-1
32	81.28	3-	-2
33	83.82	3-	-3
34	86.36	3-	-4
35	88.90	3-	-5
36	91.44	3-	-6
37	93.98	3-	-7
38	96.52	3-	-8
39	99.06	3-	-9
40	101.60	4-	-0
41	104.14	4-	-1
42	106.68	4-	-2
43	109.22	4-	-3
44	111.76	4-	-4
45	114.30	4-	-5
46	116.84	4-	-6
47	119.38	4-	-7
48	121.92	4-	-8
49	124.46	4-	-9
50	127.00	5- 825 440 -0	—



① STECKSEITE: IM BEREICH "F" 0.8µm GOLD ÜBER 1.27 µm NICKEL  
LÖTSEITE: MIN. 2.5 µm ZINN ÜBER 1.27 µm NICKEL

KONTAKTSTIFT	Cu Sn	①
STIFTGEHÄUSE	PBT GV	GRÜN
BENENNUNG	WERKSTOFF	OBERFLÄCHE
		FARBE

ZEICHNUNG GÜLTIG AB KW 39/96

RELEASED FOR PUBLICATION

ALL RIGHTS RESERVED.

THIS DRAWING IS UNPUBLISHED.

By -  
COPYRIGHT -

DIMENSIONS: mm	DWN 22.06.84 M.SCHAARSCHMIDT	MATERIAL	FINISH		
	CHK				
TOLERANCES UNLESS OTHERWISE SPECIFIED: ±0.2 mm	APVD	TE Connectivity			
	PRODUCT SPEC				
0 PLC ± -	APVD	NAME AMPMODU II STIFTLASTE ZWEIREIHIG			
1 PLC ± -	PRODUCT SPEC				
2 PLC ±	APVD	SIZE	CAGE CODE	DRAWING NO	RESTRICTED TO
3 PLC ± -	PRODUCT SPEC	A4	00779	825440	—
4 PLC ± -	APVD	WEIGHT —			
ANGLES ± -	PRODUCT SPEC	CUSTOMER DRAWING			
		SCALE	SHEET	REV	
		4:1	1 OF 2	F3	

LOC	DIST	REVISIONS					
—	—	P	LTR	DESCRIPTION	DATE	DWN	APVD
			-	SEE SHEET 1	-	-	-

VERWENDET FÜR  
E 92-9802  
WAR NR. —

CAD-ORIGINAL  
ZEICHNUNG NICHT ÄNDERN

Polz. pro Reihe	L±0.5	Bestell-Nr.	Bemerkung
1	2.54	5- -1	
2	5.08	5- -2	
3	7.62	5- -3	
4	10.16	5- -4	
5	12.70	5- -5	
6	15.24	5- -6	
7	17.78	5- -7	
8	20.32	5- -8	
9	22.86	5- -9	
10	25.40	6- 0	
11	27.94	6- -1	
12	30.48	6- -2	
13	33.02	6- -3	
14	35.56	6- -4	
15	38.10	6- -5	
16	40.64	6- -6	
17	43.18	6- 825 440 -7	△
18	45.72	6- -8	
19	48.26	6- -9	
20	50.80	7- 0	

△ VERPACKUNG: 25 STÜCK IN PLASTIK-DOSE  
PN 165 439-1 MIT PLASTIK-DECKEL  
PN 165 440-1

△ OBSOLETE PARTS: OBSOLETE CIS STREAMLINING PER D.RENAUD/D.SINISI

△ OBSOLETE

BENENNUNG	WERKSTOFF	OBERFLÄCHE FARBE

ZEICHNUNG GÜLTIG AB KW 39/96

THIS DRAWING IS UNPUBLISHED. ALL RIGHTS RESERVED.

COPYRIGHT - By -

DIMENSIONS: mm	DWN	07.06.84	MATERIAL	FINISH
	CHK	13.06.84	-	
TOLERANCES UNLESS OTHERWISE SPECIFIED:	M.SCHAARSCHMIDT			
	APVD	-		
0 PLC ± -	PRODUCT SPEC	NAME		
1 PLC ± -	-	AMPMODU II STIFTLAISTE		
2 PLC ± -	APPLICATION SPEC	ZWEIREIHIG		
3 PLC ± -	-	SIZE	CAGE CODE	DRAWING NO
4 PLC ± -	-	A4	00779	C-825440
ANGLES ± -	WEIGHT	RESTRICTED TO		
	-	-		
CUSTOMER DRAWING		SCALE	SHEET	REV
		4:1	2 OF 2	F3

